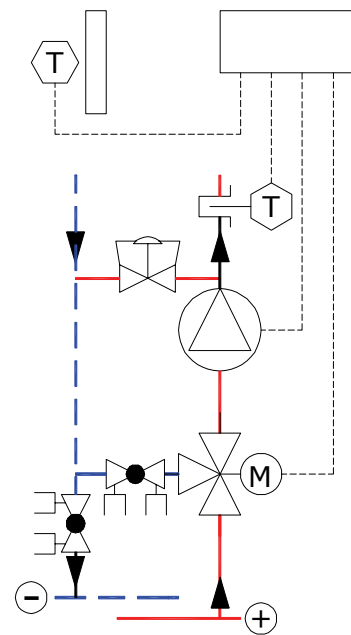


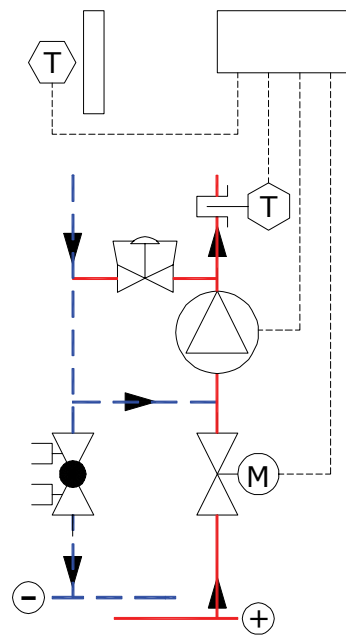
(1)

4 Way Mixing
Direct Return
Reset Control



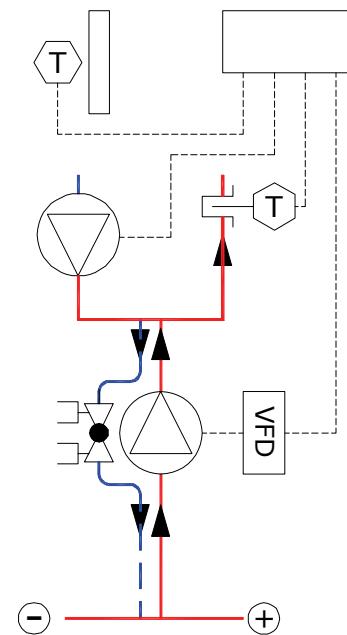
(2)

3 Way Mixing
Direct Return
Reset Control



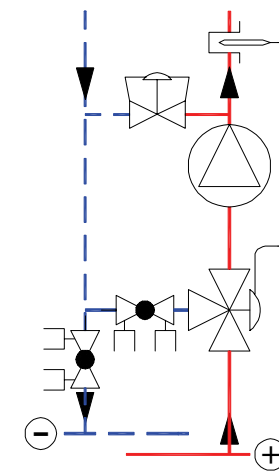
(3)

2 Way Injection
Direct Return
Reset Control



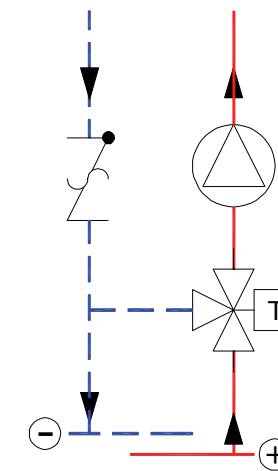
(4)

Injection Circulator
Primary/Secondary
Reset Control



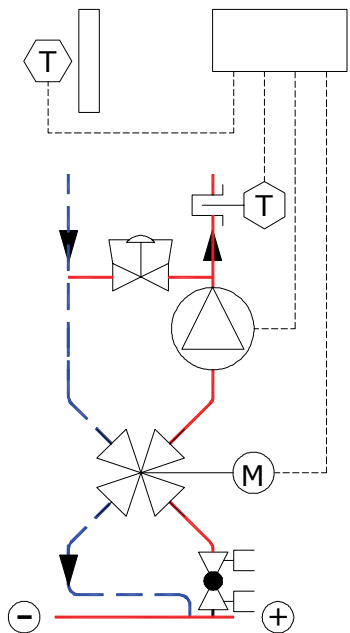
(5)

3 Way Mixing
Direct Return
Setpoint Control



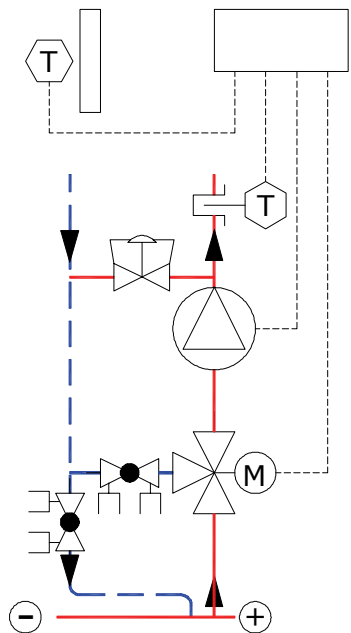
(6)

Thermostatic Mixing
Direct Return
Setpoint Control



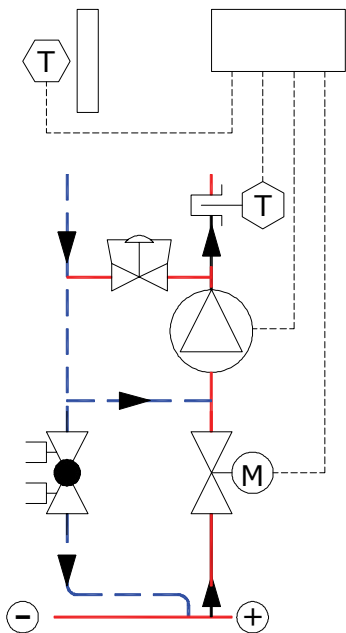
(7)

4 Way Mixing
Primary/Secondary
Reset Control



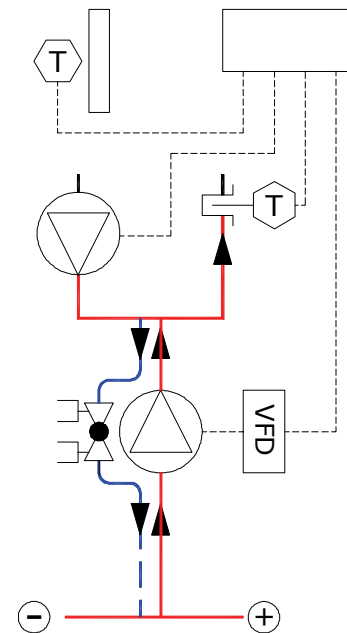
(8)

3 Way Mixing
Primary/Secondary
Reset Control



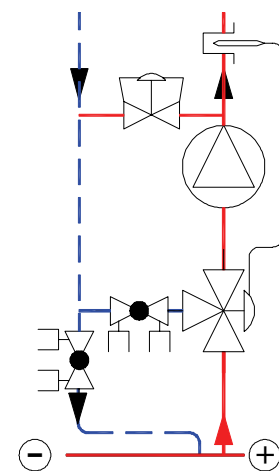
(9)

2 Way Injection
Primary/Secondary
Reset Control



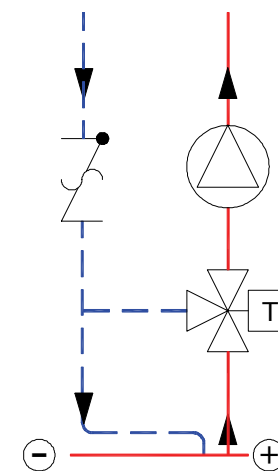
(10)

Injection Circulator
Primary/Secondary
Reset Control



(11)

3 Way Mixing
Primary/Secondary
Setpoint Control



(12)

Thermostatic Mixing
Primary/Secondary
Setpoint Control

In exchange for a donation you can have this schematic in a .pdf, .vsd or .dwg format. How do you contribute? Simply click here (http://www.healthyheating.com/ebooks_purchase.htm) to download any ebook of your choice. Email us (Store@healthyheating.com) this code **TempCntrl** and let us know what format you would like.



Radiant Based HVAC Systems

Common Methods of Regulating Fluid Temperatures in Radiant Systems

Materials downloaded from www.healthyheating.com are governed by the legal terms and conditions posted at <http://www.healthyheating.com/legal.htm>

www.healthyheating.com
Copyright © Robert Bean
All Rights Reserved